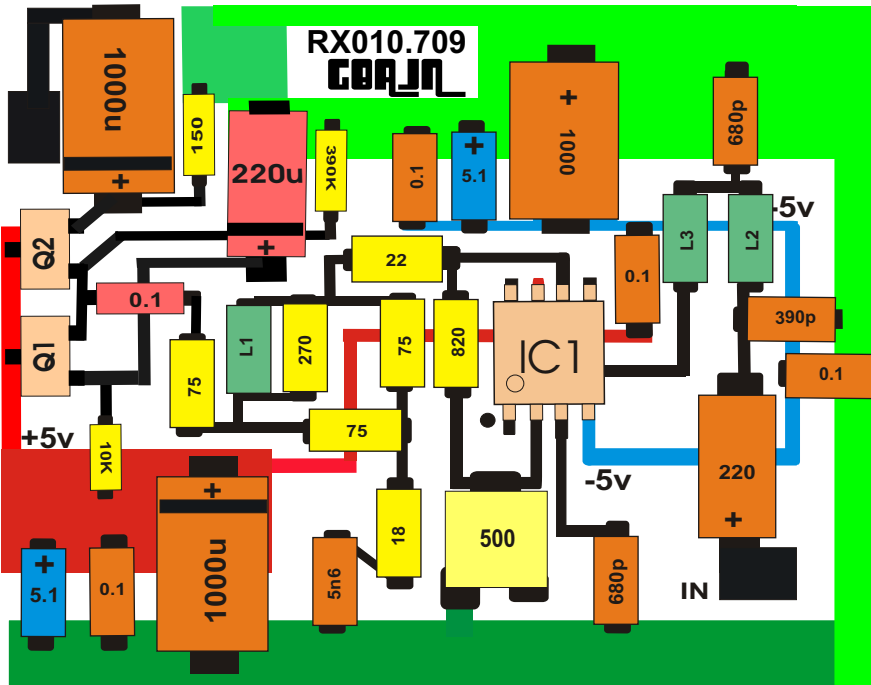
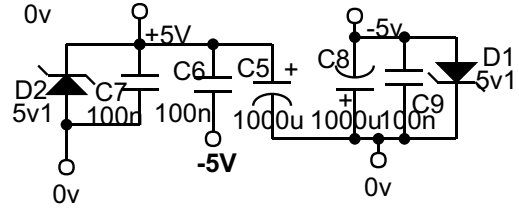


** IF USING SINGLE SUPPLY USE R14; REVERSE C1 POLARITY & SIGNAL in/out GROUND CONNECTS TO -5V LINE and that joins to tuning can screen instead of 0v line.
 R14,D1,D2 NOT REQUIRED FOR DUAL SUPPLY.
 U1 pins 2 & 3 should be swapped for 13cms receiver



0v

38 x 30mm

